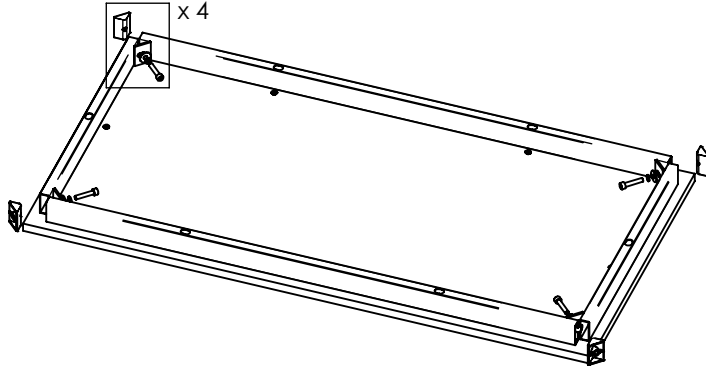
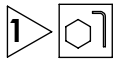


**CADI 2.77.051.440.000**

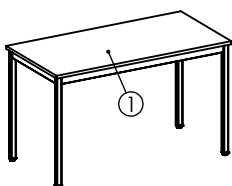
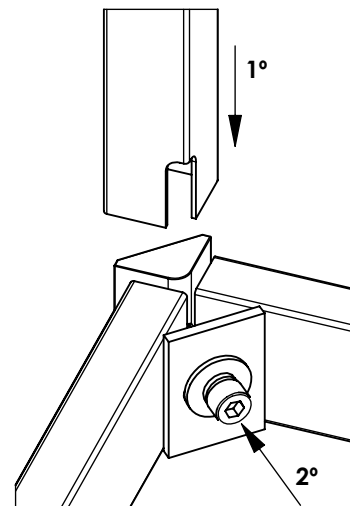
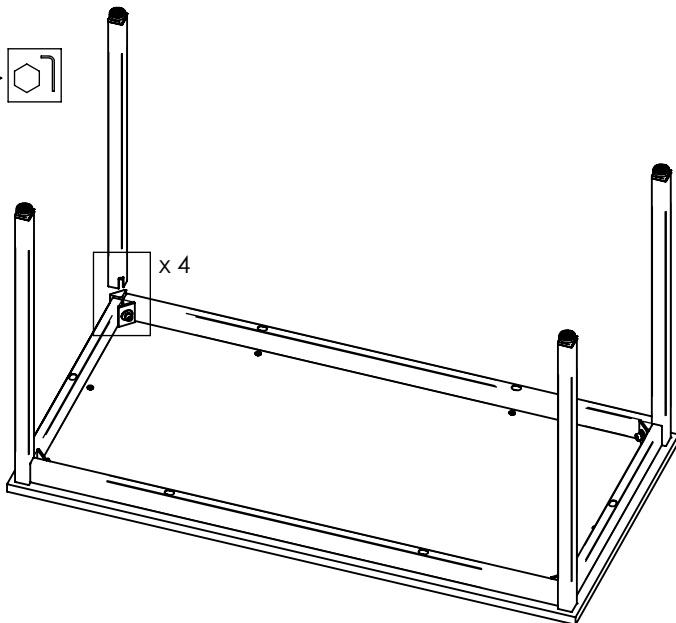
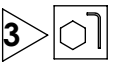
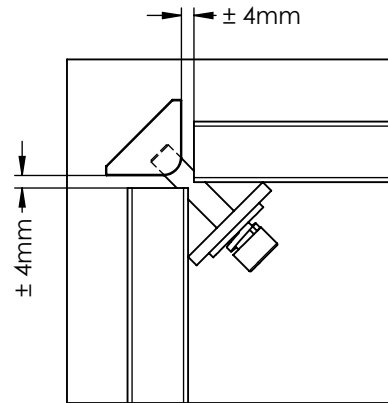
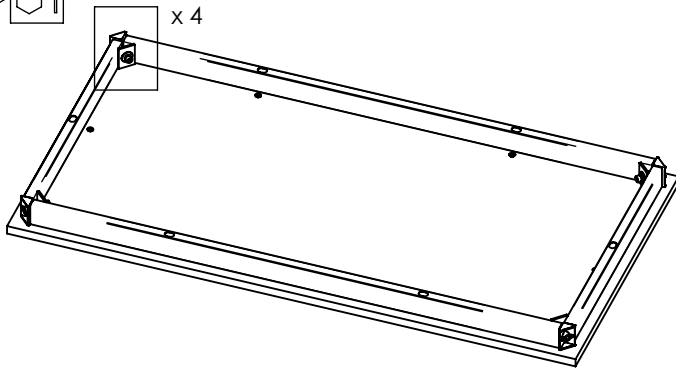
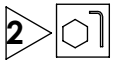
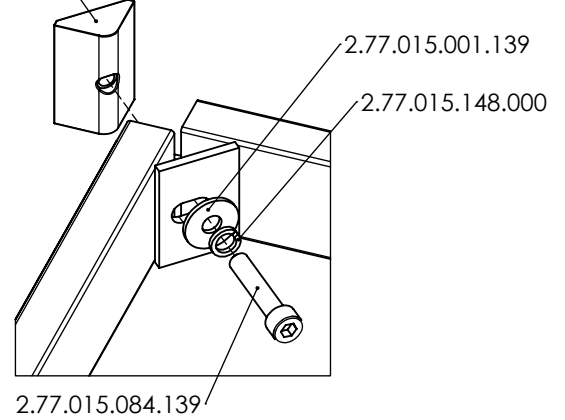


**MOBEL LINEA**  
MUEBLES OFICINA

**MONTAJE MESAS CADI - MONTAGE TABLES CADI**  
**CADI TABLE ASSEMBLING INSTRUCTIONS - MONTAGEANLEITUNG TISCHE CADI**



2.77.036.107.000



Bultos / Parcels	Cant. / Qty.
Colis / Fracht Stücke	Qté./Menge
①	1

Bultos / Parcel Colis / Fracht Stücke		HERRAJES - VISSERIE FITTINGS - BESCHLÄGE		
Ref. 1.08.048.903.000	Ref. 2.77.036.107.000	Ref. 1.08.048.901.000		
①		Ref. 2.77.015.084.139	Ref. 2.77.015.001.139	Ref. 2.77.015.148.000
	4	DIN 912 M8 x 40	DIN 9021 M8	M8
		4	4	4